

OPTIONAL MANUAL

FOR

RM-590 SERIES SINGLE CASE (590-SRI)

• Request for the Customers

- Read and understand this operating manual before using the single case.
- You must operate the single case in accordance with the optional manual.
- Regardless of warranty period, we shall not make any indemnification for accidents and damage caused by using this product.

The indemnification shall be made only under the warranty policy of products or parts replacement.

- Because this is a safety unit, a regular maintenance for every six months and daily maintenance must be performed.
- If you find abnormalities in the detector, please notify them to RIKEN KEIKI immediately.

RIKEN KEIKI Co., Ltd.

2-7-6 Azusawa, Itabashi-ku, Tokyo, 174-8744, Japan

Phone : +81-3-3966-1113

Fax : +81-3-3558-9110

E-mail : intdept@rikenkeiki.co.jp

Web site : <http://www.rikenkeiki.co.jp/english/>

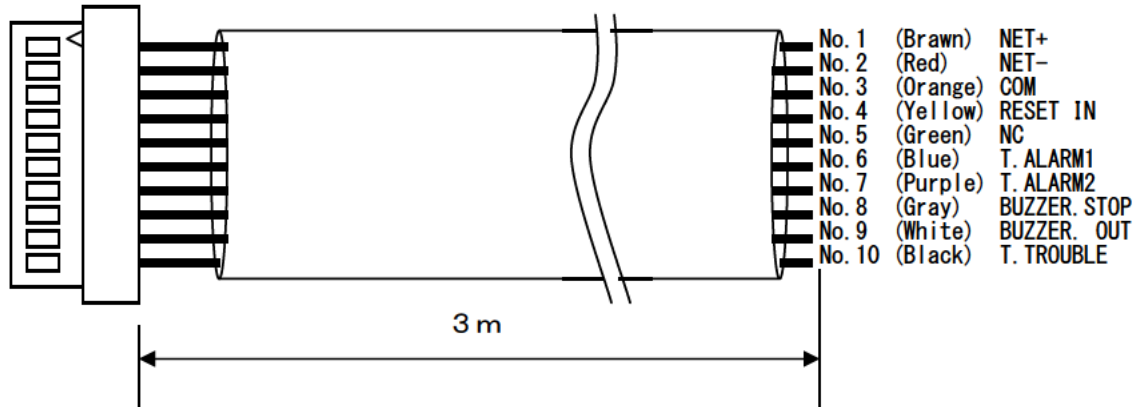
In the beginning

When control signals from client are connected with single case of RM-590 series and the RM-590 single case is used without buzzer unit TAN-590, this connector with cable is used to connect common signals such as buzzer signal, RESET signal, NET signal, etc.

Cable signal

Name of each cable signal and its signal arrangement are shown below.

(1) Cable signal



(2) Signal arrangement

No. of pin	Color of wire	Name of signal
1	Brawn	NET + Signal
2	Red	NET – Signal
3	Orange	COM(Common terminal)
4	Yellow	RESET signal input
5	Green	NC
6	Blue	Output of total gas alarm(1st)
7	Purple	Output of total gas alarm(2nd)
8	Gray	Input of buzzer stop signal *
9	White	Output of buzzer signal
10	Black	Output of total trouble alarm



WARNING

Connect the connector side to CN2 or CN3 in single case and the other end to cable for system configuration. Make necessary end treatment for unused wiring not to make short-circuit between housing and signal cables.

* NOTE

The buzzer stop signal is functioned only when alarm pattern of indicator/alarm unit is specified as " lock-in " version.

The buzzer stop operation in latched mode and non-latched mode(self-reset) version is done with the reset signal.

Definition of word

① NET+, -signals

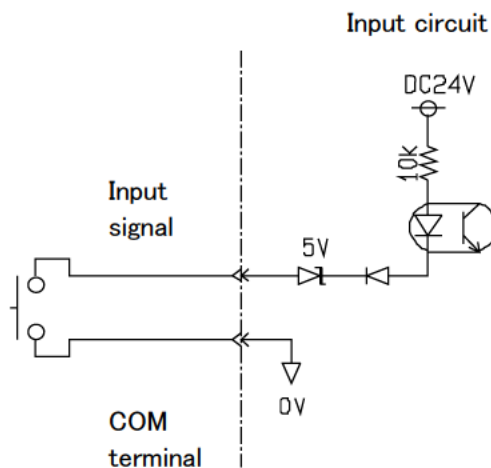
The NET signal is used to communicate both sides between indicator/alarm unit and upper system. To use this signal, it is required to make system design in combination with upper system.

Please contact with RIKEN KEIKI if the arrangement of NET signal is required.

② Input signal (Connect with COM terminal)

This is for reset terminal at gas alarm and trouble alarm. Connect the switch between wires of this terminal and COM terminal.

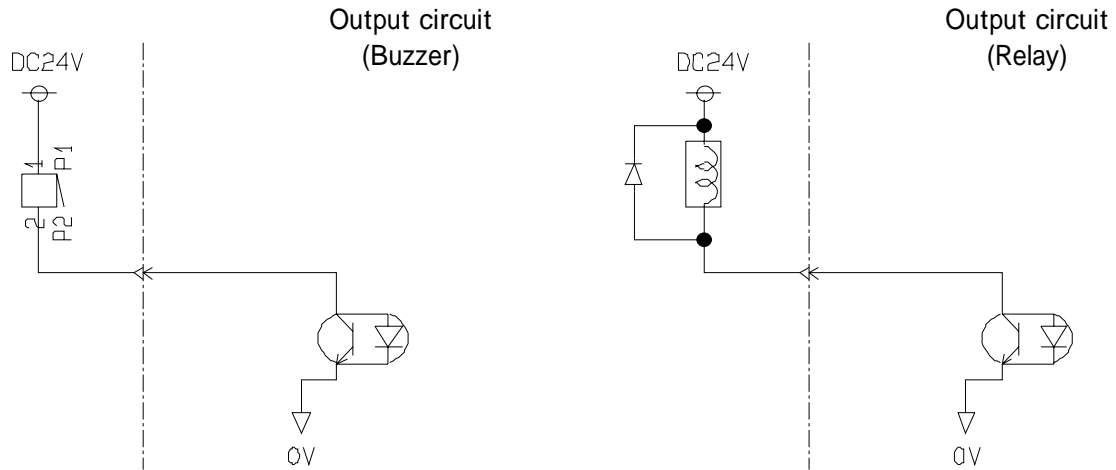
Input circuit



Output signal

Signals of buzzer, total gas alarm and total trouble alarm are output.

Output circuit



CAUTION

In case of inductive load such as relay etc., connect a diode in series to absorb the counter electromotive force.



WARNING

Load to the connector side shall be below 50mA at 24VDC.